



230_{VAC}

24_{VDC}



ADAM ADAM24



CONTROL UNITS:

ADAM ——— BRAINY
ADAM24 ——— BRAINY24+
 BRAINY24

FOLDING DOOR WITH MAX 2 WINGS INDUSTRIAL USE

with built-in encoder device

up to 120 kg

BENINCA

100%
Made in Italy



Irreversible electromechanical geared motor available in 230 Vac or 24 Vdc with encoder. Simple and quick to install, equipped with wire quick release. Accessory for LED courtesy lights available.

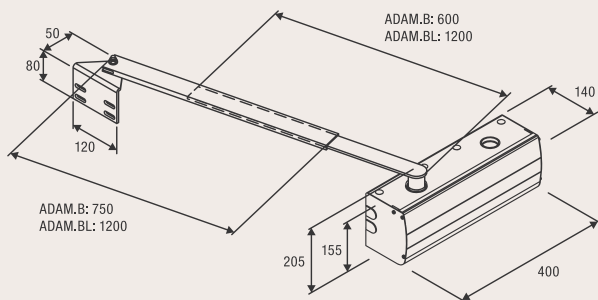
230 Vac

- Irreversible 230 Vac geared motor
- The encoder device ensures maximum safety and precision in the door moving phases
- Internal metal gears ensure maximum performance and durability over time

24 Vdc | intensive use

- Irreversible 24 Vdc geared motor for intensive use
- The encoder device ensures maximum safety and precision in the door moving phases
- Amperometric sensor obstacle detection system to prevent crushing
- Internal metal gears ensure maximum performance and durability over time

www.beninca.com



BENINCA



ADAM.B
Galvanized telescopic arm with welded bush, complete with fixing accessories (L=600 mm).



ADAM.BL
Galvanized telescopic arm with welded bush, complete with fixing accessories (L=1200 mm).



ADAM.LED
Accessory for LED courtesy lights.



VN.MS
Accessory for unlock device with handle.



FC.ADAM
Limit switch kit.



ID.TA
Warning board.

AUTOMATISMI BENINCÀ SpA • Via del Capitello, 45 • 36066 Sandrigo (VI) ITALY • T +39 0444 751030 • sales@beninca.com

TECHNICAL DATA	ADAM	ADAM.24*
Power supply	230 Vac (50-60Hz)	230 Vac (50-60Hz)
Motor supply	230 Vac	24 Vdc
Max absorbed current	1.75 A	8 A
Torque	350 Nm	260 Nm
Duty cycle	30%	intensive use
Protection level	IP44	IP44
Operating temperature	-20°C /+50°C	-20°C /+50°C
Leaf max dimension	1.5 m	1.3 m
Leaf max weight	120 kg	100 kg
Weight	12.4 kg	11.2 kg
Items no. per pallet	27	27

* Available in 115 VAC version