



BULL424ESA



CONTROL UNITS:

BULL424ESA — CP.B24ESA



RESIDENTIAL USE

control unit with built-in encoder and receiver personalised release key



up to 450 kg



BENINCA



100%
Made in Italy



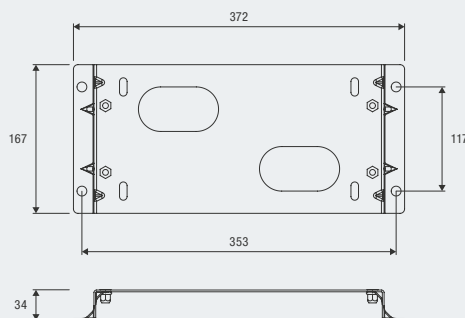
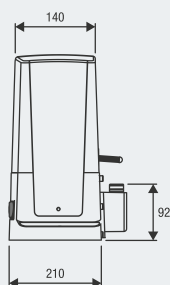
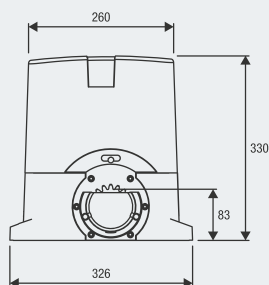
24 Vdc | intensive use

- 24 Vdc geared motor for intensive use, with built-in control unit, ESA SYSTEM and encoder
- The encoder device ensures maximum safety and precision in the gate moving phases
- Amperometric sensor obstacle detection system to prevent crushing
- Battery back up system ready
- Metal release lever
- Magnetic limit switches accessory available (MLS)



Raised foundation plate included. Height 34 mm. Floor fixing distance 353x117 mm, no. 4 Ø 11 mm, motor fixing distance 300x75 mm n.4 M8.

www.beninca.com



BENINCA

COMPLETE KITS



MOTOR



PHOTOCELLS



FLASHING LIGHT



SELECTOR



TRANSMITTER

KBULL424

1x **BULL424ESA**

1x **PUPILLA.T**

1x **LAMPI24.LED**

1x **TOKEY**

1x **TO.GO2VA**



RI.M4F

M4 rack, to weld or attach with screws, 30x12x1000 mm slotted and galvanised. Supplied with M6 metric screws and threaded spacers.
Package of 4 pcs.



RI.M4Z

M4 galvanised rack to weld 22x22x2000 mm.
Package of 2 pcs.



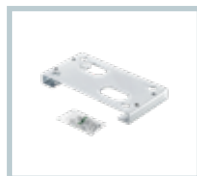
RI.M4ZF

Galvanised slotted M4 rack 22x22x2010 mm for fastening to the side with the teeth. Supplied with M6 screws.
Package of 1 pc.



RI.M4P

Nylon rack with steel core, to attach with screws, M4, 28x40x1000 mm. Slotted, provided with self-drilling screws.
Package of 10 pcs.



BULL.P3

Raised foundation plate. Height 34 mm. Floor fixing distance 260x117 mm, no. 4 Ø 11 mm, motor fixing distance 300x75 mm n.4 M8.



SB.BULL8.F

Externally fitted anti-intrusion cable unlock device (L=4.5m).



MLS

Magnetic limit switches. Suitable for snowy places.



ID.TA

Warning board.



IRI.TX4VA

4-channel transmitter with Advanced Rolling Code and Rolling Code.



IRI.TX4AK

4-channel transmitter with Advanced Rolling Code and Fixed Code.



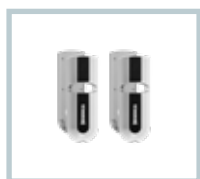
IRI.LAMP

White full range flashing light, 20-255 VAC with built-in aerial.



IRI.KPAD

Battery operated wireless vandal-proof digital keypad with alert buzzer and backlit buttons. Triple coding: Rolling Code, Programmable Code and Advanced Rolling Code. 254 memorisable codes.



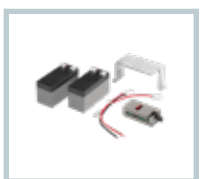
IRI.CELL

Pair of vandal-proof metal covers for PUPILLA/PUPILLA.T photocells, comprising front and rear shells with concealed screw. They can maintain perfect orientation over 180°.



PUPILLA

Pair of photocells adjustable to 180°. Option to synchronise up to 4 pairs, 24 VAC/DC power supply. Easy adjustment through a LED that signals optimal alignment. Compact size: 36x110x35 mm



BULL24.CBY

Accessory with CBY.24V battery charger, 1.2 Ah batteries and support bracket.



DA.2S

Electronic board that allows synchronised movement of 2 automation devices (opposed sliding gates).

AUTOMATISMI BENINCÀ SpA • Via del Capitello, 45 • 36066 Sandrigo (VI) ITALY • T +39 0444 751030 • sales@beninca.com

TECHNICAL DATA	BULL424ESA*
Power supply	230 Vac (50-60Hz)
Motor supply	24 Vdc
Max absorbed current	0.4 A
Power consumption in stand-by	8 mA
Max Thrust	428 N
Opening speed	6.7÷11 m/min
Duty cycle	intensive use
Protection level	IP44
Operating temperature	-20°C /+50°C
Max gate weight	450 kg
Driving gear for rack	M4 Z14
Weight	10.4 kg
Items no. per pallet	40
Kit weight	11.1 kg
Kits no. per pallet	40

* Available in 115 VAC version