



230_{VAC}

24_{VDC}



ZED ZED24

COUNTERWEIGHT GARAGE DOORS RESIDENTIAL/COMMERCIAL USE

new electronic control unit with incorporated receiver and encoder
up to 12.5 m²

DESIGNED TO COMPLY WITH EUROPEAN SAFETY STANDARDS

Electromechanical irreversible geared motor for tilt up doors with counterweights for residential use. Available in the 230 Vac and 24 Vdc versions with or without control unit. Built-in courtesy light, limit switch and control buttons.

230 Vac

- Irreversible 230 Vac electromechanical geared motor also available in the ZED.LRIE version for large doors
- The encoder device ensures crush prevention and precision in the door moving phases
- Quieter thanks to the new control unit with autotransformer created to reduce door vibrations to a minimum

24 Vdc | intensive use

- Irreversible 24 Vdc electromechanical geared motor for intensive use
- Optional battery powered operation
- Amperometric sensor obstacle detection system to prevent crushing



CONTROL UNITS:

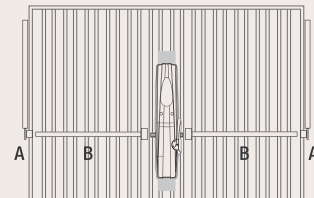
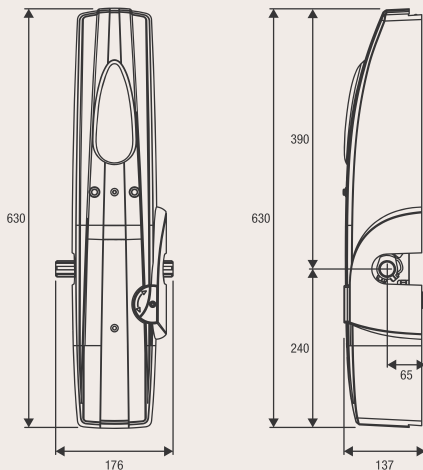
- ZED.RIE** ——— CP.ZED-AUTR
- ZED.SC** ——— LOGICA
- ZED.LRIE** ——— CP.ZED-AUTR
- ZED.LSC** ——— LOGICA
- ZED24.RI** ——— CP.ZED24
- ZED24.SC** ——— LOGICA24

BENINCA

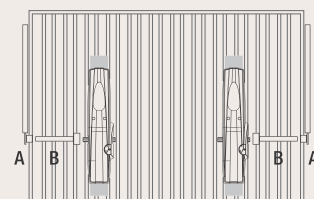


100%
Made in Italy

www.beninca.com



| Central Assembly | A | B |
|------------------|---------------|------------------|
| Without welding | AU2.DNS | AU.45Z / AU.45ZL |
| With welding | AU2.D / AU2.C | AU.45Z / AU.45ZL |



| Lateral Assembly | A | B |
|------------------|---------------------|------------------|
| Without welding | AU2.D45 / AU2D.45 L | --- |
| | AU2.DNS | AU2.45T |
| With welding | AU2.D / AU2.C | AU2.45T / AU.45B |

BENINCA

**AU.125**

1,250 mm mounting plate.

**AU.20**

1,950 mm mounting plate.

**AU.65**

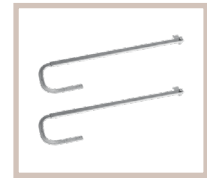
650 mm mounting plate.

**AU2.DNS**

Pair of straight arms with cylindrical bush Ø 30.5 mm to mount control unit without welding (L=600mm).

**AU2.D**

Pair of straight galvanised arms complete with accessories for fastening, without bush (L=600 mm).

**AU2.C**

Pair of curved galvanised arms complete with accessories for fastening, without bush.

**AU2.D45**

Pair of straight galvanised arms with grooved bush Ø 21.2 mm welded, complete with accessories for fastening (L=600 mm).

**AU2.D45L**

Pair of straight galvanised arms with grooved bush Ø 21.2 mm welded, complete with accessories for fastening (L=2000 mm).

**AU.45Z
AU.45ZL**

Pair of galvanised pipes with grooved bush Ø 21.2 mm L. 1,500 mm (AU.45Z) and L. 2,000 mm (AU.45ZL) complete with accessories (control unit assembly).

**AU2.45T**

Pair of galvanised pipes L. 150 with grooved bush Ø 21.2 mm welded, complete with accessories (lateral assembly).

**AU.45B**

Grooved bush Ø 21.2 mm with M6 fastener hole.

**ZED.20Q**

Grooved bush Ø 21.2mm with square profile 20x20mm. Designed with M6 fastener holes. L = 62 mm

**ZED.MS**

Wire manual unlock device.

**ZED.E**

External release unlock device (to be used on lateral mounting).

**ZED.SE**

Outdoor unlock device (for central mounting).

**MAG.E**

Magnetic sensor device to detect obstacles and manage deceleration.

**CABLE.24E**

Cable reel with 5 conductors (2 for motor, 3 for encoder) for connecting the encoder device in the 24 Vdc versions. L= 100 m.

**ID.TA**

Warning board.

AUTOMATISMI BENINCÀ SpA • Via del Capitello, 45 • 36066 Sandrigo (VI) ITALY • T +39 0444 751030 • sales@beninca.com

| TECHNICAL DATA | ZED.RIE | ZED.SC | ZED.LRIE | ZED.LSC | ZED24.RI | ZED24.SC |
|-----------------------|------------------------|------------------------|--------------------------|--------------------------|------------------------|------------------------|
| Power supply | 230 Vac (50-60Hz) | 230 Vac (50-60Hz) | 230 Vac (50-60Hz) | 230 Vac (50-60Hz) | 230 Vac (50-60Hz) | 230 Vac (50-60Hz) |
| Motor supply | 230 Vac | 230 Vac | 230 Vac | 230 Vac | 24 Vdc | 24 Vdc |
| Max absorbed current | 1.5 A | 1.5 A | 1.4 A | 1.4 A | 1 A | 8 A |
| Torque | 350 Nm | 350 Nm | 330 Nm | 330 Nm | 260 Nm | 260 Nm |
| Opening time | 14" | 14" | 22" | 22" | 10"/15" | 10"/15" |
| Duty cycle | 30% | 30% | 30% | 30% | intensive use | intensive use |
| Protection level | IP40 | IP40 | IP40 | IP40 | IP40 | IP40 |
| Built-in control unit | YES | NO | YES | NO | YES | NO |
| Built-in receiver | YES | NO | YES | NO | YES | NO |
| Encoder | YES | NO | YES | NO | NO | NO |
| Operating temperature | -20°C /+50°C | -20°C /+50°C | -20°C /+50°C | -20°C /+50°C | -20°C /+50°C | -20°C /+50°C |
| Max door surface | 11 m ² /max | 11 m ² /max | 12.5 m ² /max | 12.5 m ² /max | 10 m ² /max | 10 m ² /max |
| Weight | 10 kg | 9.3 kg | 9.9 kg | 9.2 kg | 10.2 kg | 7.9 kg |
| Items no. per pallet | 50 | 50 | 50 | 50 | 50 | 50 |